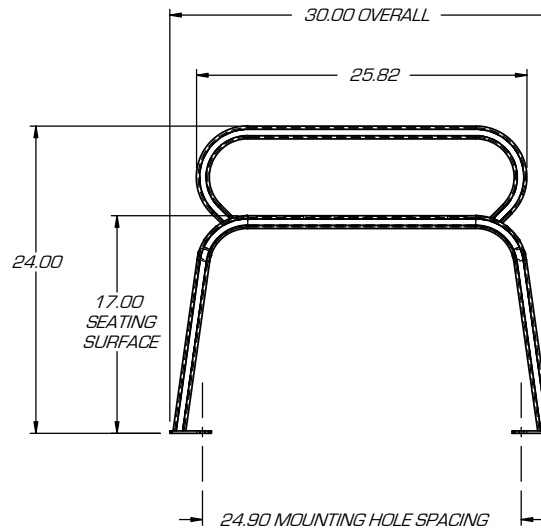
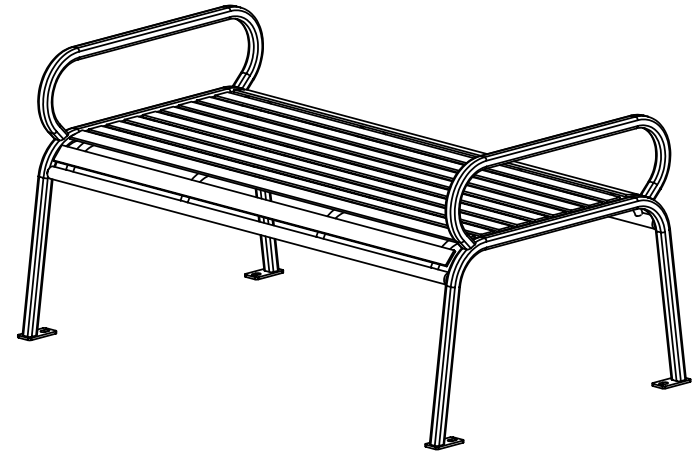
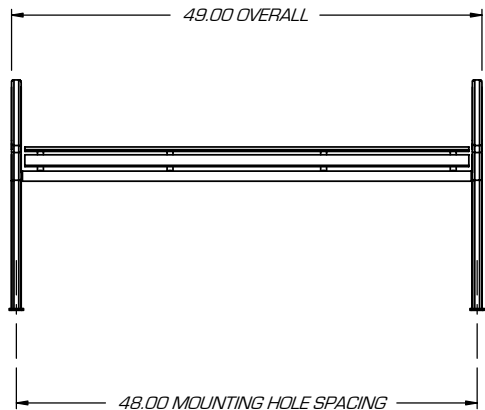
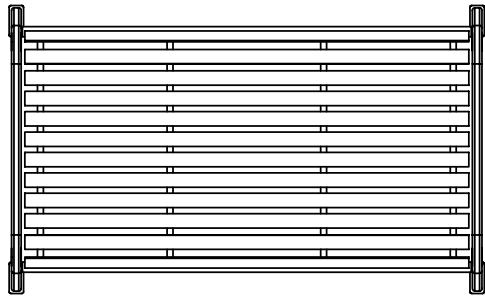


ASSEMBLY INSTRUCTIONS

AND SPECIFICATIONS



SCALE 1:15

MATERIAL SPECIFICATIONS:

FRAMES - 1" x .125" HSS SQUARE TUBE
 SEAT SURFACE - 3/16" x 1-1/2" FLAT BAR HRPO
 BRACES - 5/8" DIA ROD HR

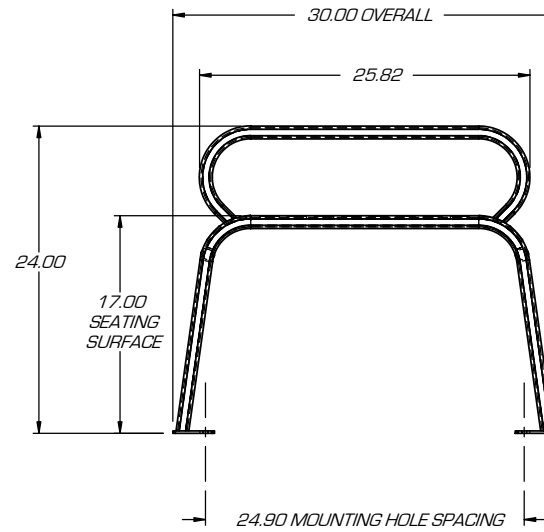
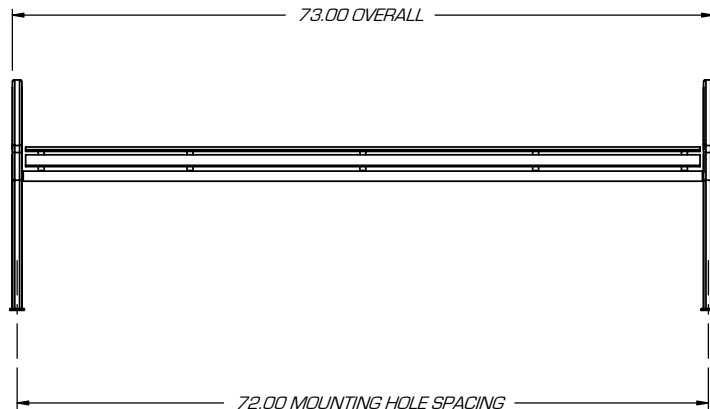
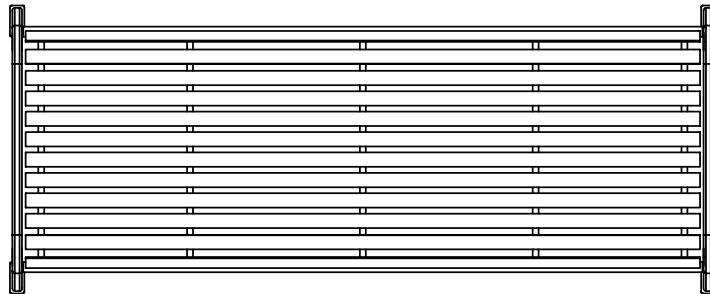
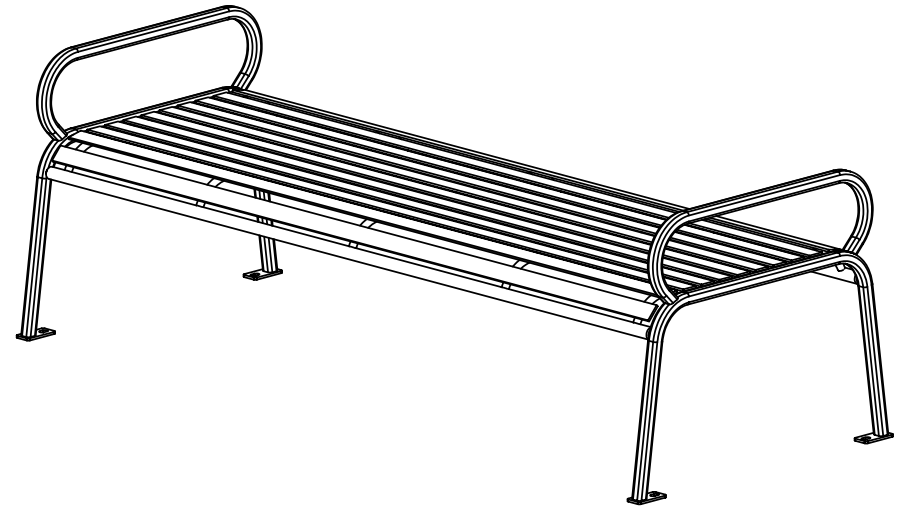
PARKVIEW BENCH, BACKLESS 4 FT

MODEL: 71145300

ITEM NO.	DESCRIPTION	PART NO.	QTY.
1	PARKVIEW BENCH WELDMENT, BACKLESS 4 FT	51132800	1

UNLESS OTHERWISE SPECIFIED, DIMENSIONS ARE IN INCHES

ASSEMBLY INSTRUCTIONS AND SPECIFICATIONS



SCALE 1:15

MATERIAL SPECIFICATIONS:

FRAMES - 1" x .125" HSS SQUARE TUBE
SEAT SURFACE - 3/16" x 1-1/2" FLAT BAR HRPO
BRACES - 5/8" DIA ROD HR

PARKVIEW BENCH, BACKLESS 6 FT

MODEL: 71145400

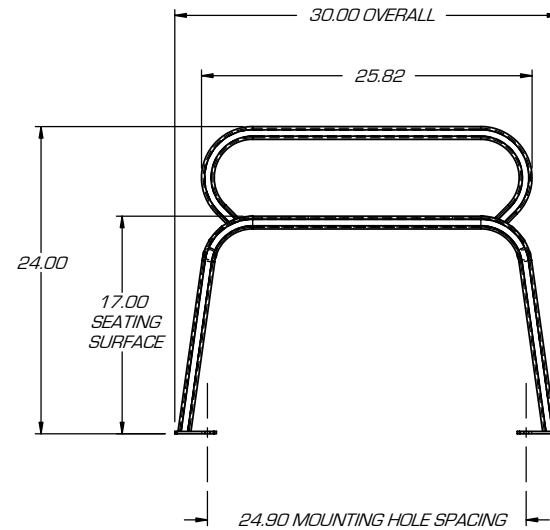
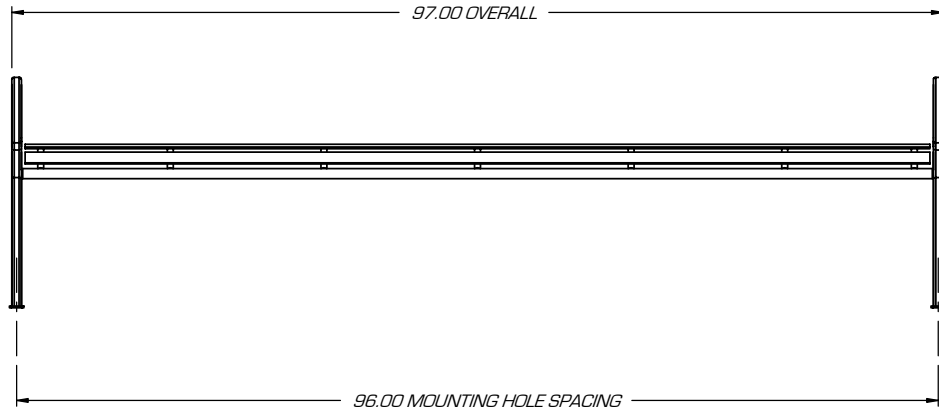
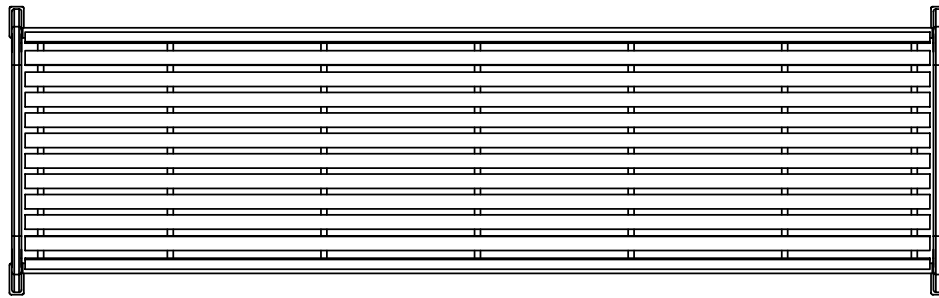
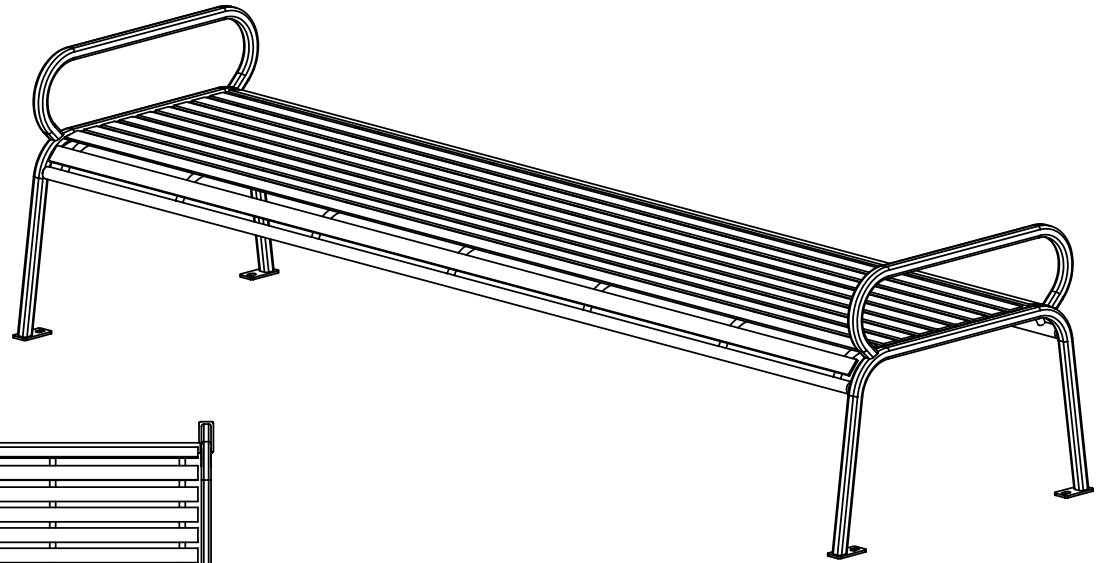
ITEM NO.	DESCRIPTION	PART NO.	QTY.
1	PARKVIEW BENCH WELDMENT, BACKLESS 6 FT	51132900	1

UNLESS OTHERWISE SPECIFIED, DIMENSIONS ARE IN INCHES

ASSEMBLY INSTRUCTIONS AND SPECIFICATIONS

MATERIAL SPECIFICATIONS:

FRAMES - 1" x .125" HSS SQUARE TUBE
SEAT SURFACE - 3/16" x 1-1/2" FLAT BAR HRPO
BRACES - 5/8" DIA ROD HR



SCALE 1:15

PARKVIEW BENCH, BACKLESS 8 FT

MODEL: 71147900

ITEM NO.	DESCRIPTION	PART NO.	QTY.
1	PARKVIEW BENCH WELDMENT, BACKLESS 8 FT	51152300	1

UNLESS OTHERWISE SPECIFIED, DIMENSIONS ARE IN INCHES