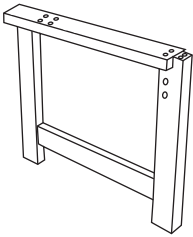

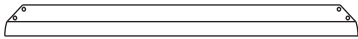
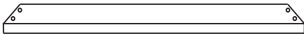
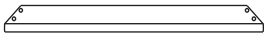
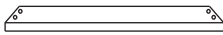
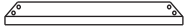
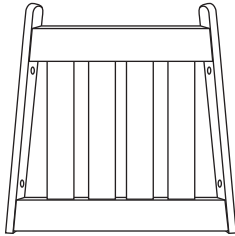
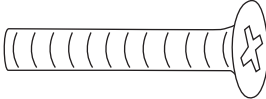
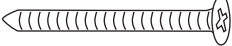
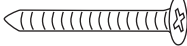
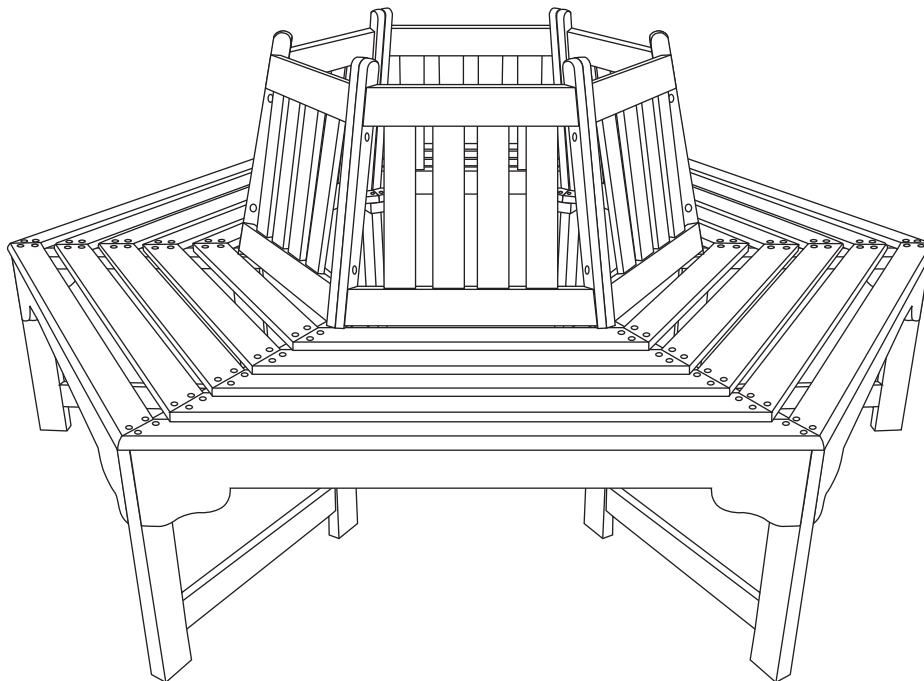


Assembly Instructions

Tree Surround Seating Bench

Part List

<p>A)</p> 	<p>B)</p> 	<p>C)</p> 
<p>Leg</p> <p style="text-align: right;">6 pcs</p>	<p>Front Panel</p> <p style="text-align: right;">6 pcs</p>	<p>Sitting Panel (Lenght : 34.75")</p> <p style="text-align: right;">6 pcs</p>
<p>D)</p> 	<p>E)</p> 	<p>F)</p> 
<p>Sitting Panel (Lenght : 31.375")</p> <p style="text-align: right;">6 pcs</p>	<p>Sitting Panel (Lenght : 28")</p> <p style="text-align: right;">6 pcs</p>	<p>Sitting Panel (Lenght : 24.25")</p> <p style="text-align: right;">6 pcs</p>
<p>G)</p> 	<p>H)</p> 	<p>I)</p> 
<p>Sitting Panel (Lenght : 20.75")</p> <p style="text-align: right;">6 pcs</p>	<p>Back support</p> <p style="text-align: right;">6 pcs</p>	<p>Bolts</p> <p style="text-align: right;">12 pcs</p> <p style="text-align: right;">Ø6 x 35mm</p>
<p>J)</p> 	<p>K)</p> 	
<p>Ø4 x 31mm</p> <p>Screws</p> <p style="text-align: right;">36 pcs</p>	<p>Ø3 x 26mm</p> <p>Screws</p> <p style="text-align: right;">120 pcs</p>	

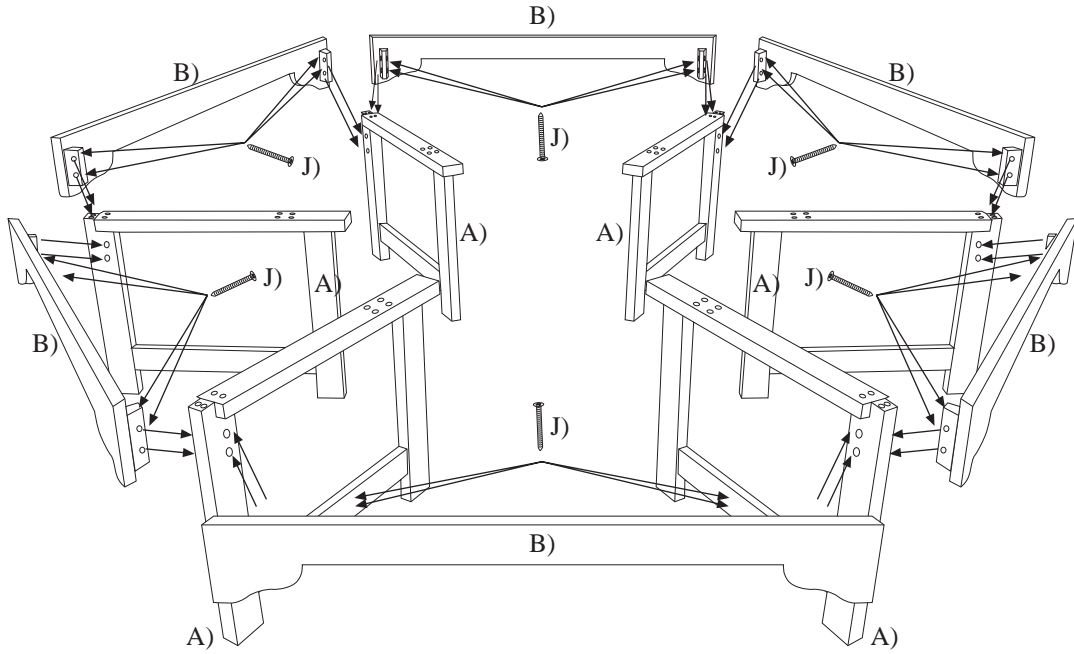


****BE SURE ALL ARE FULLY TIGHTENED BEFORE SITTING ON THE BENCH.**

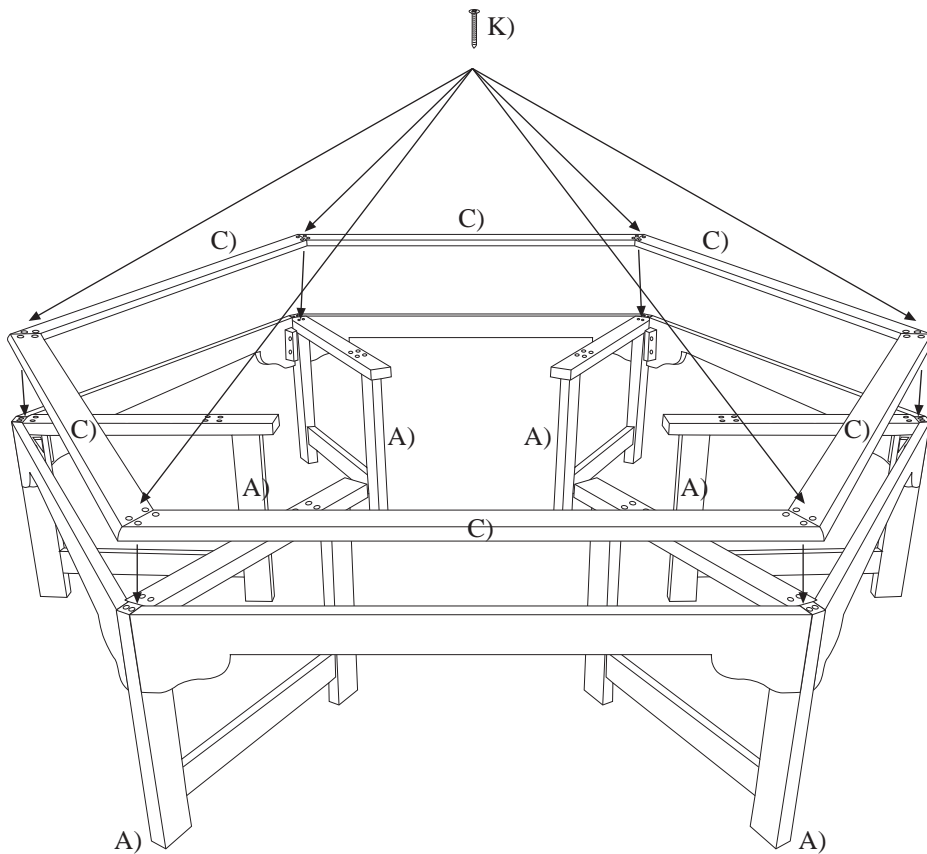
Assembly Instructions

Tree Surround Seating Bench

STEP 1



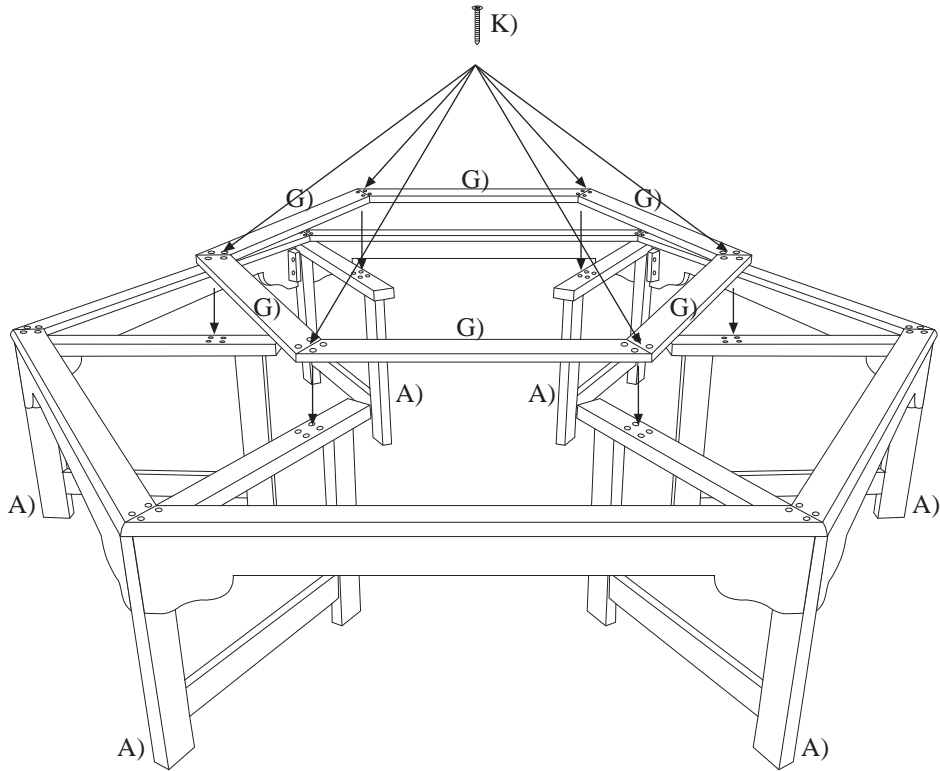
STEP 2



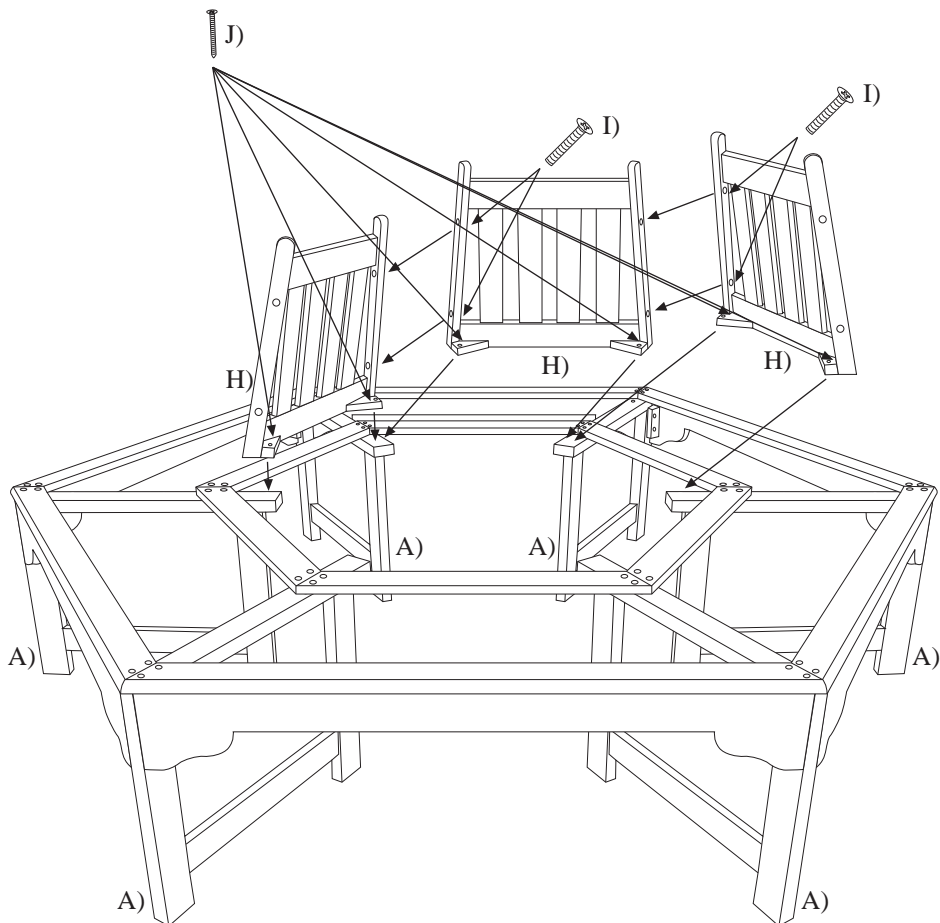
Assembly Instructions

Tree Surround Seating Bench

STEP 3



STEP 4

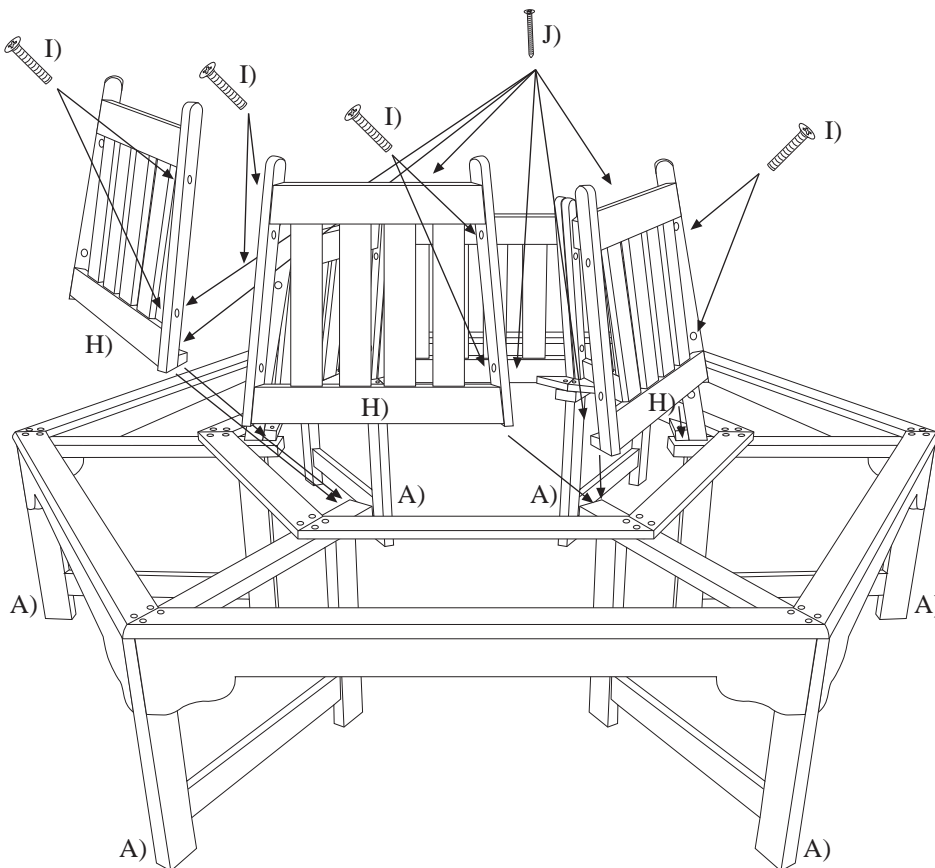


*When put the Back Support(H) on Leg(A) please adjust the right position before screw the (J) on them.

Assembly Instructions

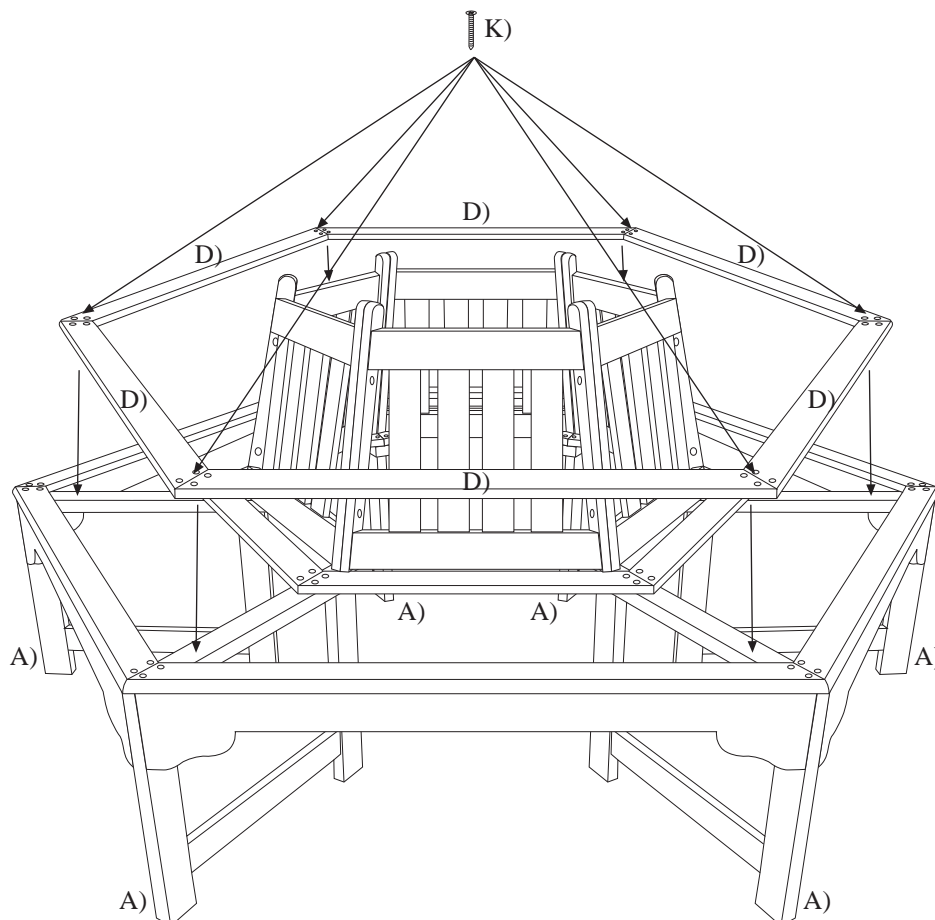
Tree Surround Seating Bench

STEP 5



*When put the Back Support(H) on Leg(A) please adjust the right position before screw the (J) on them.

STEP 6

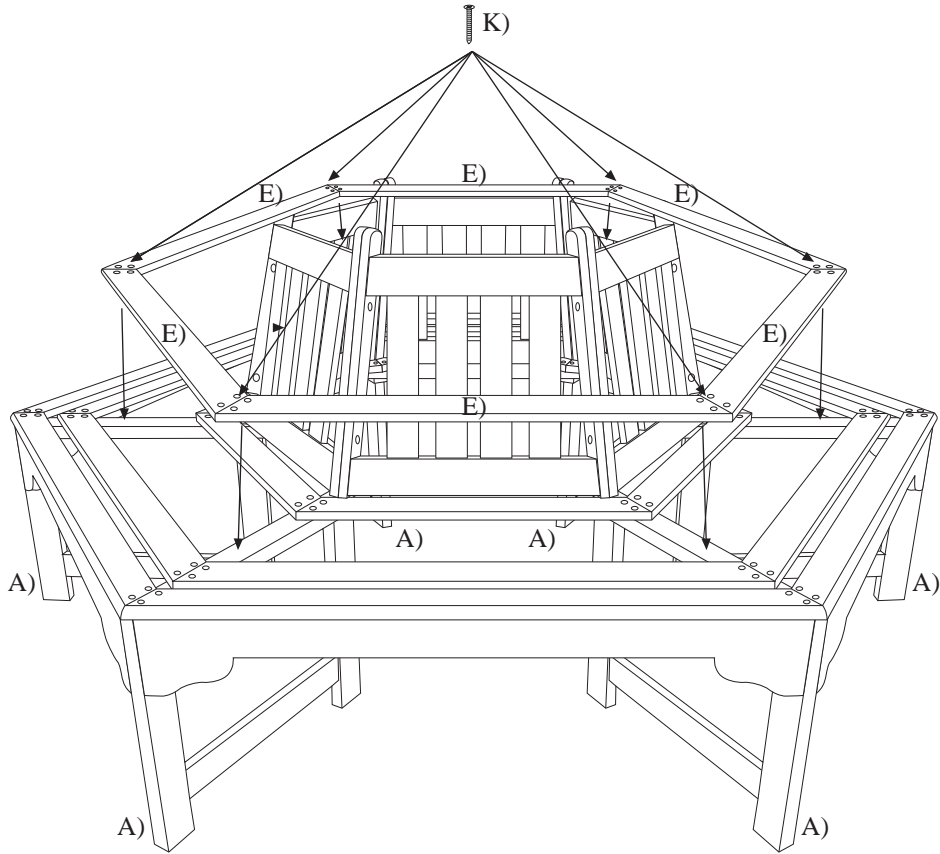


*When put the Panel(D) on Leg(A) please adjust the right position before screw the (K) on them.

Assembly Instructions

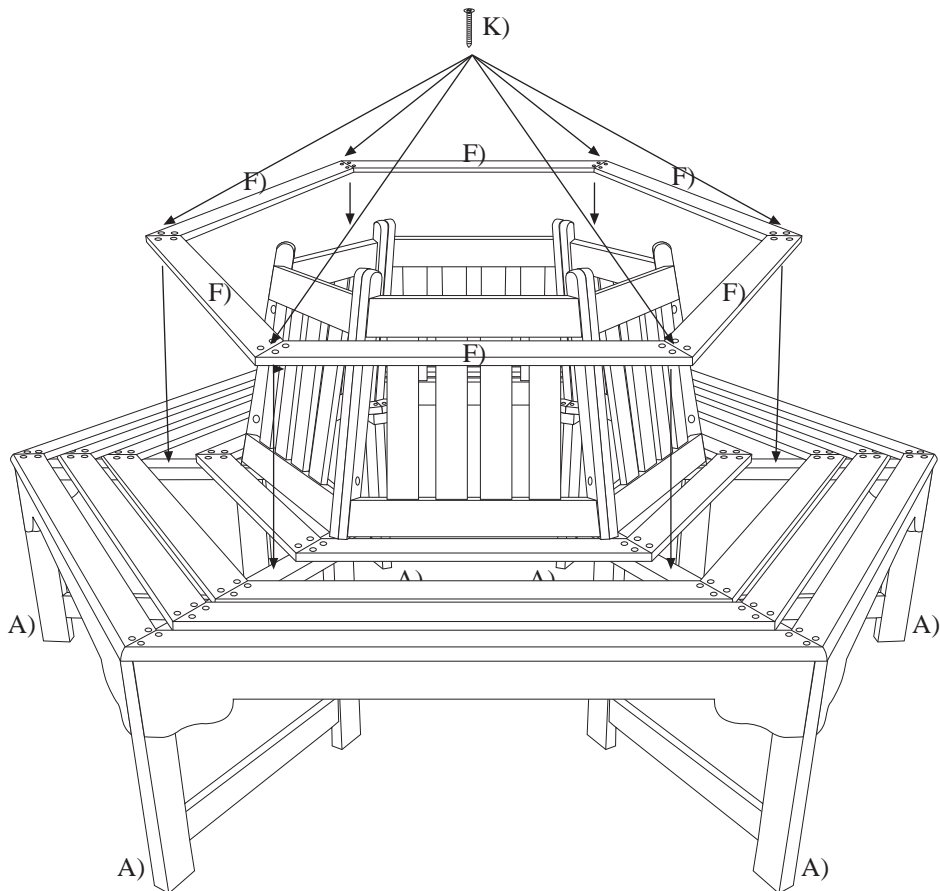
Tree Surround Seating Bench

STEP 7



***When put the Panel(E) on Leg(A) please adjust the right position before screw the (K) on them.**

STEP 8



***When put the Panel(F) on Leg(A) please adjust the right position before screw the (K) on them.**

****BE SURE ALL ARE FULLY TIGHTENED BEFORE SITTING ON THE BENCH.**